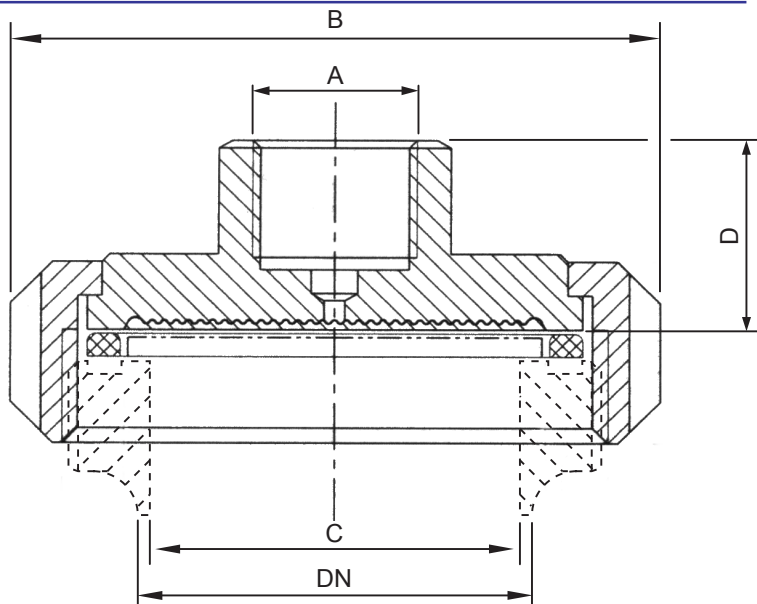


ARM TECHNOLOGIES

17, rue de Verdun - BP: 2
77 411 CLAYE – SOUILLY cedex
FRANCE

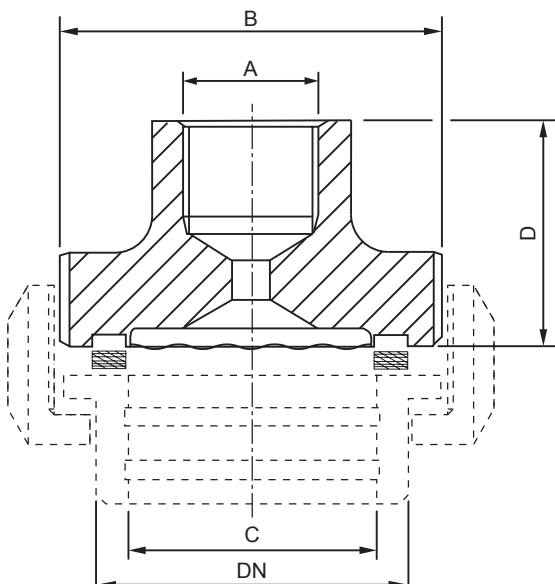
Tel: ☐☐ 00 33 (0)1 60 26 16 42
Fax: ☐☐ 00 33 (0)1 60 26 70 64
E-mail: ☐☐ arm77@club-internet.fr

S 332 SEPARATEUR SMS FEMELLE SMS CHEMICAL SEAL FEMALE



DN	PN (max)	Temp. °C	DIMENSIONS (mm)			
			A	B	C	D
38 (1"1/2)	40	-20 ≤ T° ≤ 100	1/2 BSP F	74	35,5	28
51 (2")	40	-20 ≤ T° ≤ 100	1/2 BSP F	84	48,5	28

C = diamètre utile de la membrane
C = effective diameter of the diaphragm



S 331 SEPARATEUR SMS MALE SMS CHEMICAL SEAL MALE

Les éléments en pointillés peuvent être fournis sur demande
The components in dotted lines can be furnish upon inquiry

DN	PN (max)	Temp. °C	DIMENSIONS (mm)			
			A	B	C	D
38 (1"1/2)	40	-20 ≤ T° ≤ 100	1/2 BSP F	60x6F"	35,5	34
51 (2")	40	-20 ≤ T° ≤ 100	1/2 BSP F	70x6F"	48,5	34

C = diamètre utile de la membrane
C = effective diameter of the diaphragm

CONSTRUCTION

Flasque
Inox 316 L

Raccord process
SMS DN 38, DN 51 ou DN 63

Membrane soudée
Inox 316 L

CONSTRUCTION

Body
Stainless steel 316 L

Process connection
SMS fitting DN 38, DN 51 or DN 63

Welded diaphragm
Stainless steel 316 L

Notice S318 - S331 - S332