

TYPE “STANDARD” with Reduction Gear Plug-Valve with PTFE-Sleeve DN100 - DN400 / 4” - 16”



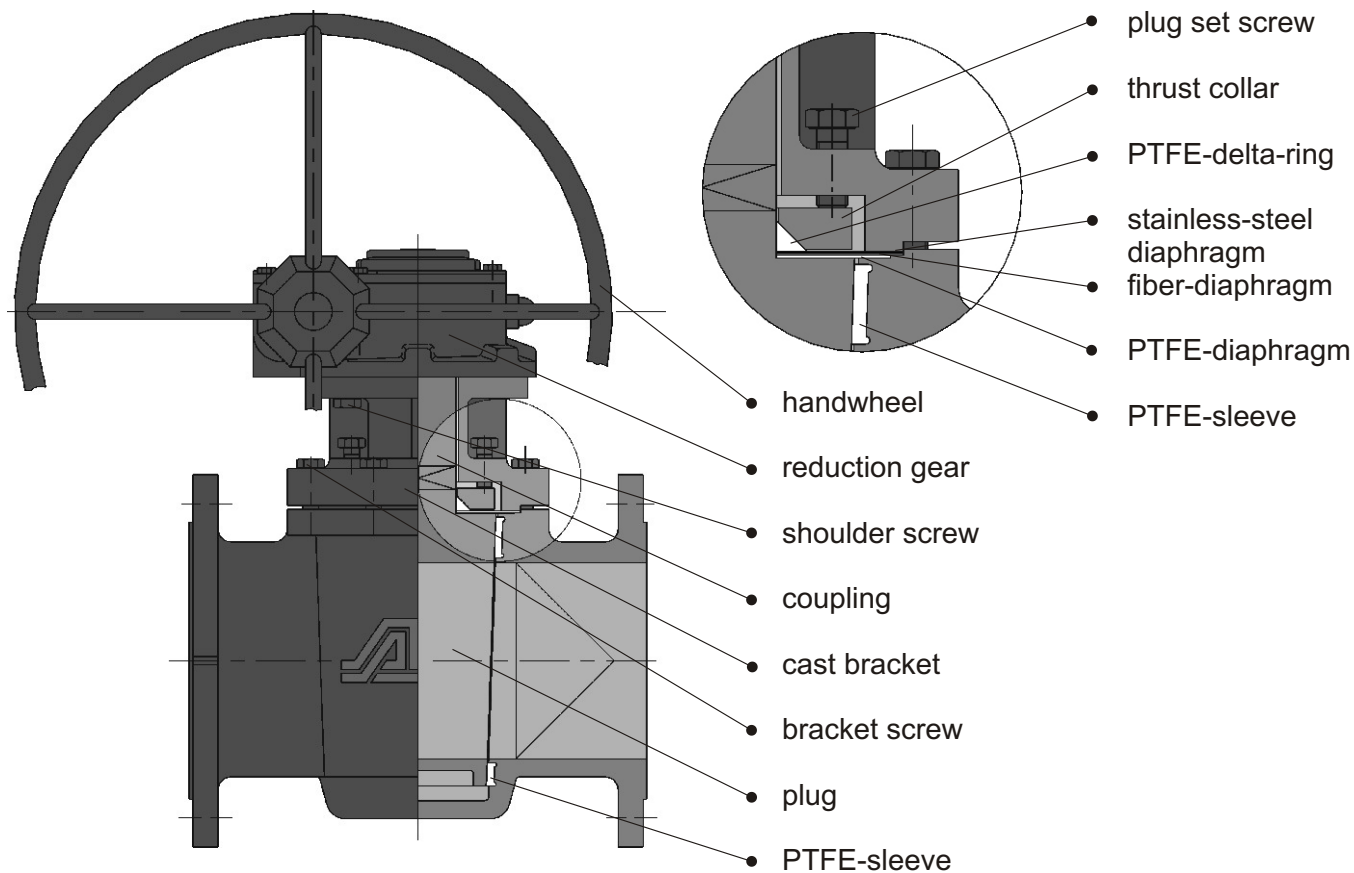
1.2

- cavity free
- maintenance free, self lubricating
- cast bracket design (ISO)
- face to face dimensions and flanges acc. to DIN und ANSI
- easy accessible adjustment of the plug
- vakuumproof
- DGRL-97/23/EG, TRD 801-No.45-type approval TÜ.AGG.105-90
- fire-safe design acc. to API 607
- with “TA - Luft” approval



Type "STANDARD" with 90° Reduction Gear

DN100 - 400 / 4" - 16"



This tested and successful construction of the gear operator allows, in comparison to the efficiency, a small and compact execution with only little weight. This worm gear operator has been specially designed for valves with 90° rotation, i.e. the parts, such as the worm wheel, have been constructed for this application.

Adjusting screws permit the best adaption of the gear on the tilting angle of the valve.

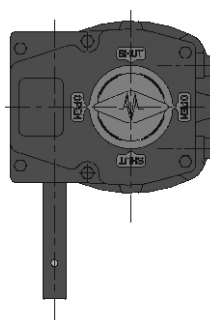
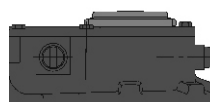
The gear is tightly enclosed and maintenance-free through a permanent grease lubrication.

These gear operators are fitted with hand wheels. Other kinds of driving, e.g. chain wheels or similar, are possible on request. Because of the AZ ISO-bracket there is no problem to convert to actuators. On converting please state the type of actuator so that we can supply the correct adapter.

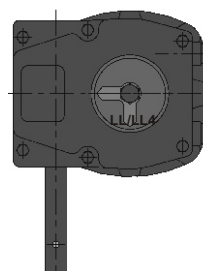
For the arrangement of the gear operators please see drawings in the margin.

Please see the pressure - temperature conditions at the diagram in our leaflet 1.1.

90° - reduction gear with positioner for two-way-valves



180° - 360° reduction gear with positioner for multi-port-valves

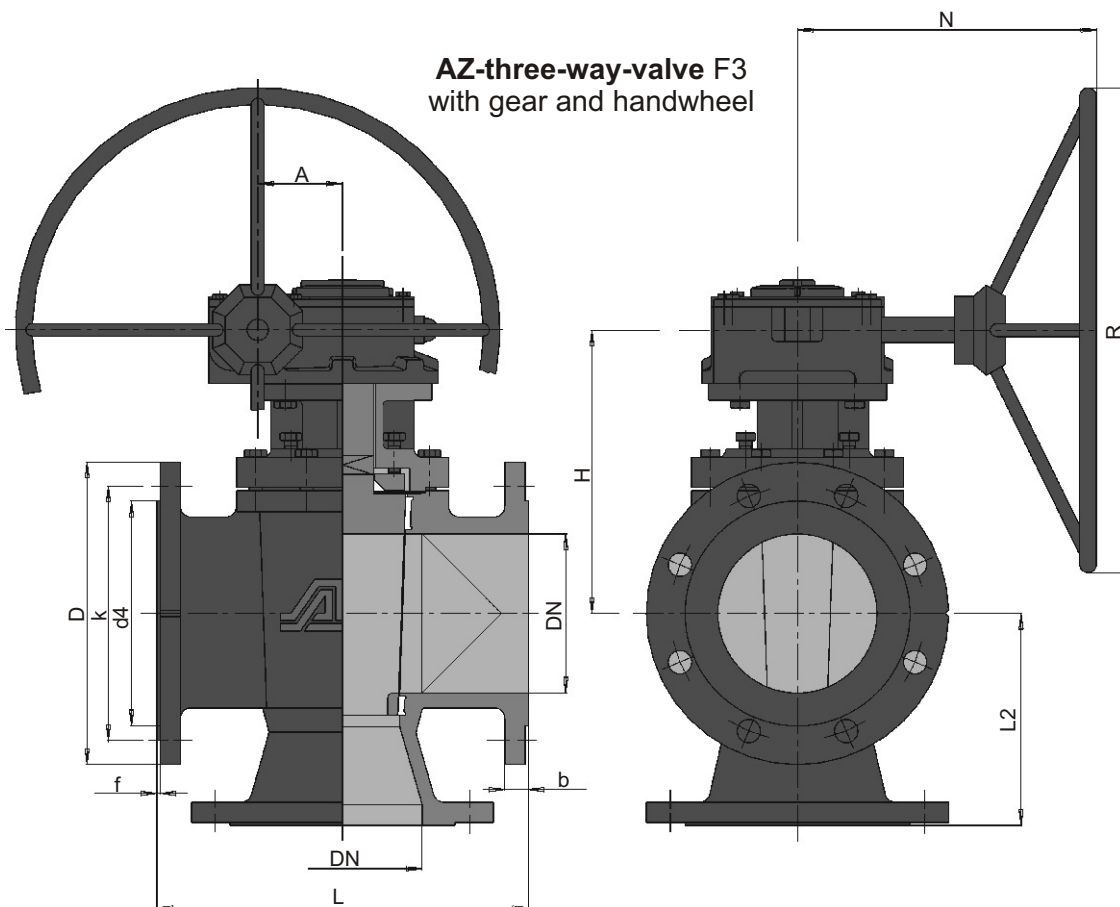


For plug- formes see leaflets 1.3+1.4



Type "STANDARD with 180° - 360° Reduction Gear

DN100 - 400 / 4" - 16"



AZ-three-way-valve F3
with gear and handwheel

DIN acc. to DIN 3202															
DN	PN	D	flange bore		b	f	d4	L	L2	A	H	N	R	I	
			Øk	No.											Ø
100	10 / 16	220	180	8	18	20	3	158	350	175	66,7	230	217	356	300
	25 / 40	235	190		22	24		162							
125	10 / 16	250	210	8	18	22	3	188	325	162,5	76,8	245	233	457	300
	25 / 40	270	220		26	26		188							
150	10 / 16	285	240	8	22	22	3	212	350	200	76,8	245	233	457	300
	25 / 40	300	250		26	28		218							
200	10 / 16	340	295	8/12	22	24	3	268	400	220	111	300	259	457	300
	25 / 40	360/375	310/320	8	26/30	30/34		278/285							
250	10 / 16	395/405	350/355	12	22/26	26	3	320	450	275	59	340	380	610	500
	25 / 40	425/450	370/385		30/33	32/38		335/345							
300	10 / 16	445/460	400/410	12	22/26	26/28	4	370/378	500	325	59	340	380	610	500
	25 / 40	485/515	430/450	16	30/33	34/42		395/410				365			

ANSI acc. to ANSI B 16.10															
DN	PN	D	flange bore		b	f	d4	L	L2	A	H	N	R	I	
			Øk	Stck.											Ø
4"	150	228,6	190,5	8	19,1	23,8	1,6	157,2	229	152,5	66,7	230	217	356	300
	300	254	200,1		22,3	31,8		305	171,5						
5"	150	254	215,9	8	23,8	23,8	1,6	185,7	254	177,8	76,8	245	233	457	300
	300	279,4	234,9		34,9	325		162,5							
6"	150	279,4	241,3	8	22,3	25,4	1,6	215,9	267	190,5	76,8	245	233	457	300
	300	317,5	269,7	12		36,5		403	216						
8"	150	342,9	298,5	8	22,4	28,6	1,6	269,9	292	228,6	111	300	259	457	300
	300	381	330,2	12	25,4	41,3		418	254						
10"	150	406,4	362	12	25,4	30,2	1,6	323,8	330	311,2	59	340	380	610	500
	300	444,5	387,3	16	28,4	47,6		457	311,2						
12"	150	482,6	431,8	12	25,4	31,8	1,6	381	356	349,3	59	340	380	610	500
	300	520,7	450,8	16	31,7	50,8		502	355,6	365					

Other sizes on request.

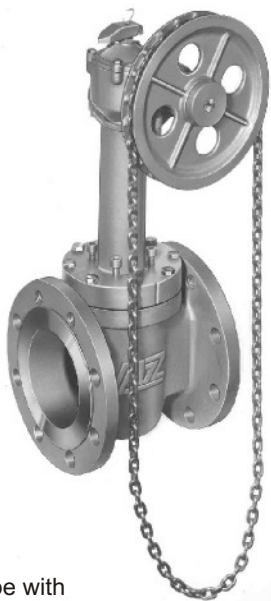


Plug-Valve with Reduction Gear

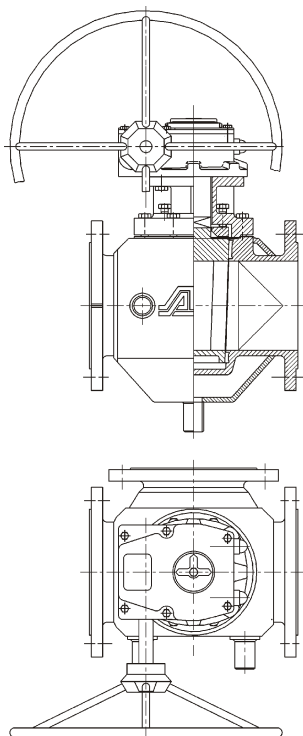
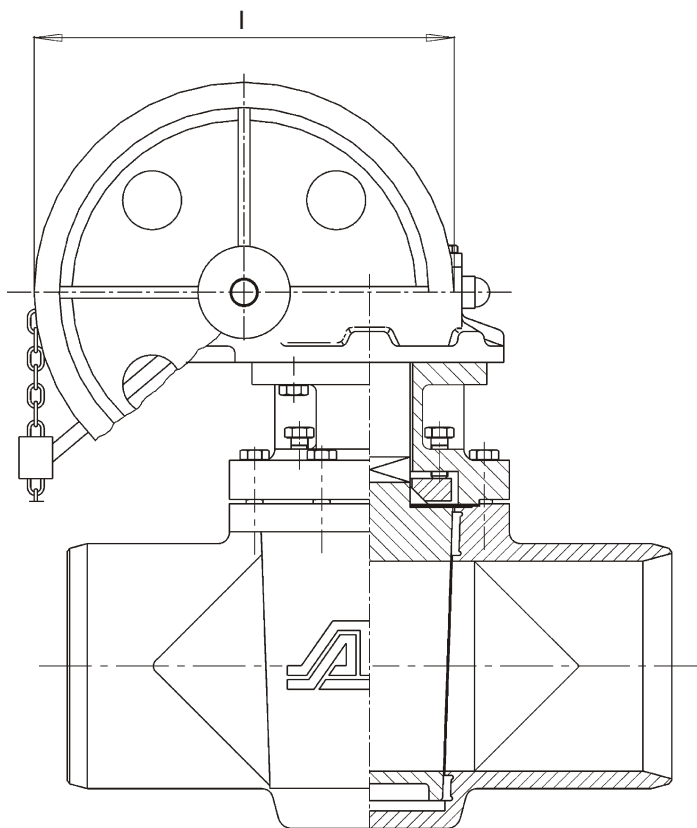
DN100 - DN400 / 4" - 16"

Plug-valve with 90° gear, plug-stem-extension and chainwheel

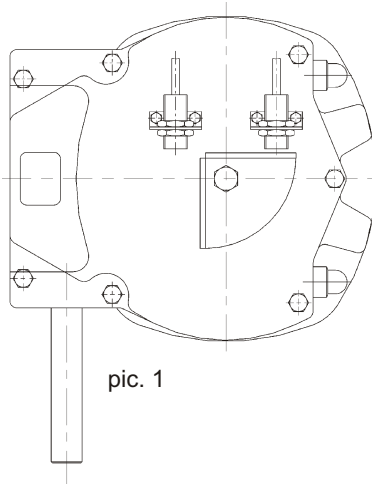
Operation with chains of any requested length allows remote control of overhead valves.



Type with plug-stem-extension



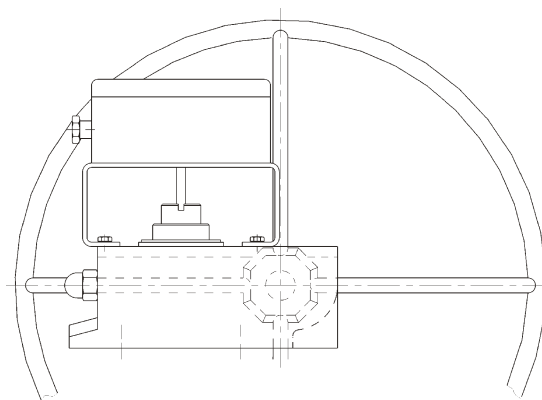
Plug-valve F-3-W with heatingjacket (see leaflet 1.5)



pic. 1

AZ-plug-valves with reduction-gear are also available with stop position feedback.

Inductive proximity switches and stop position switches can be mounted on top of the gear (pic.1) or in a switchbox (pic.2).



pic. 2

Order example: F-3-DN150-PN40-1.4408-GT
 F = flange, 3 = three-way, DN150 = size, PN40 = rating, 1.4408 = body material, GT = gear

