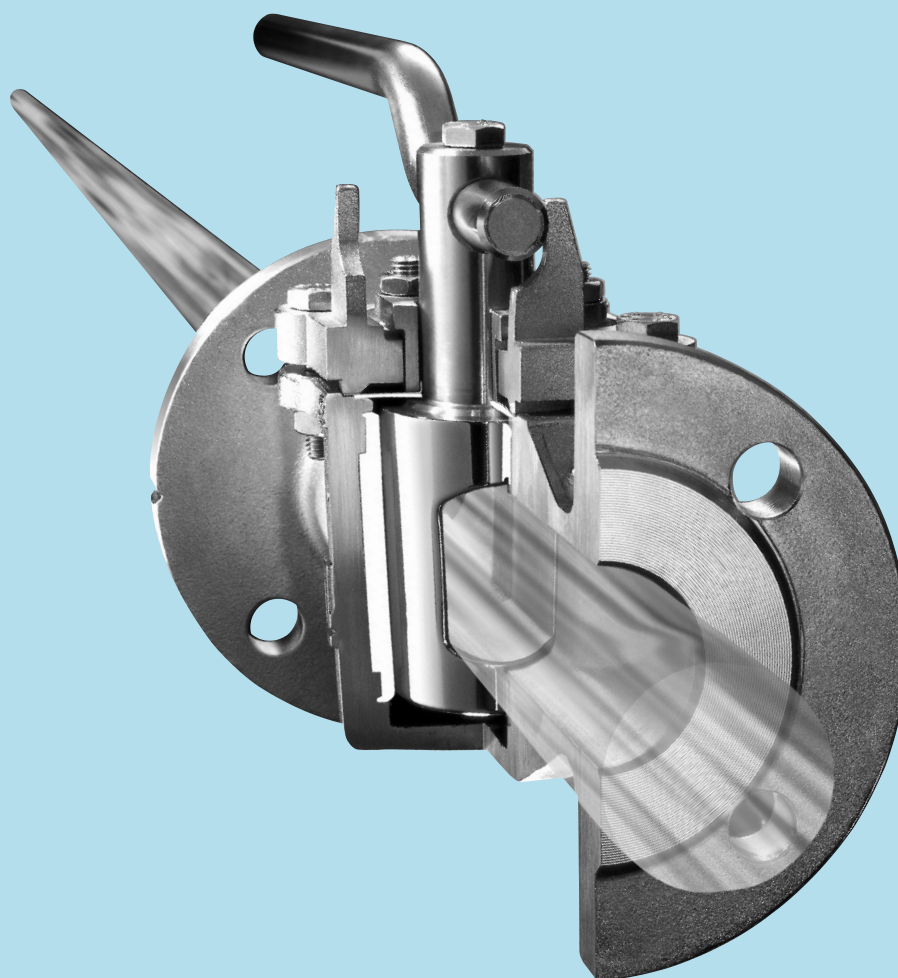


## TYPE “STANDARD”

Plug Valve with PTFE Sleeve DN15 - 100 / ½” - 4”



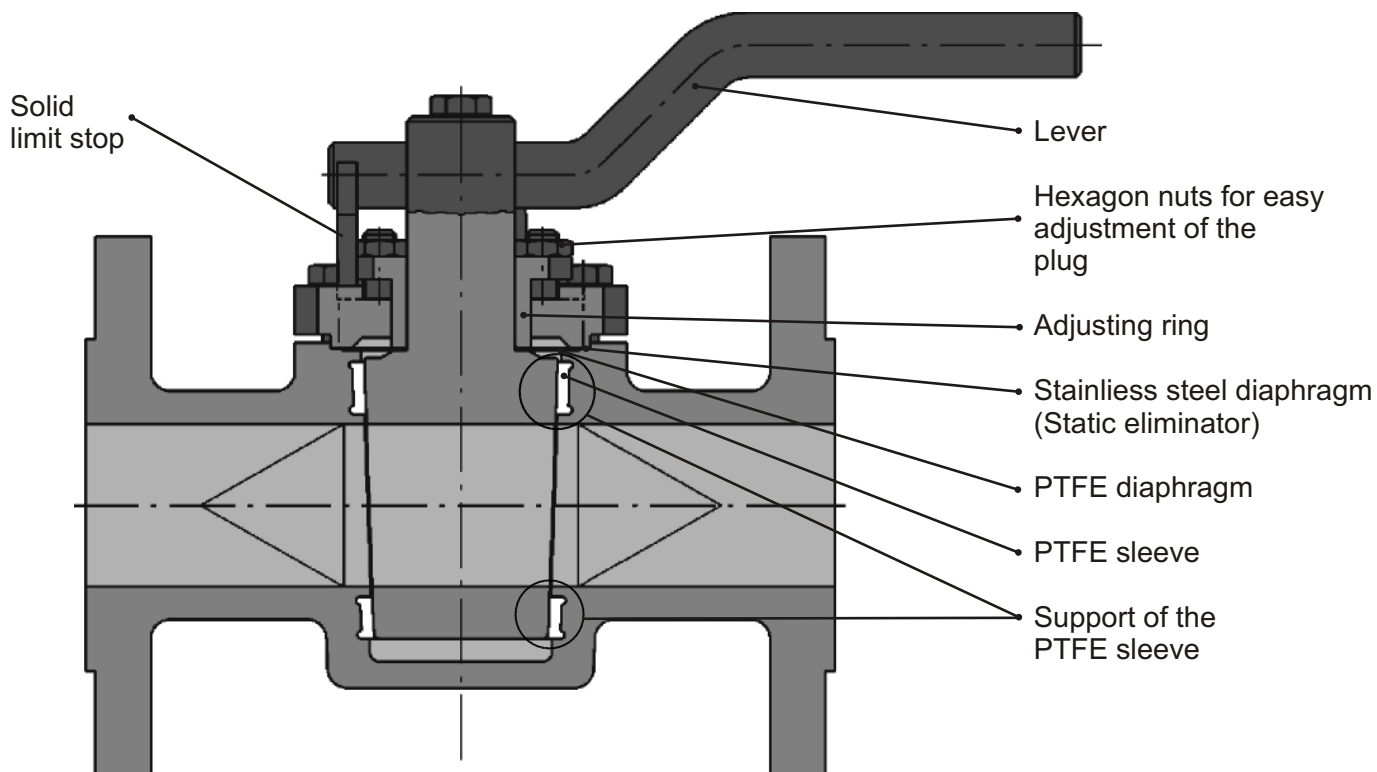
1.1

- cavity free
- maintenance free, self lubricating
- suitable for full vacuum services
- easy accessible adjustment of the plug
- Face to face dimensions acc. to DIN, ANSI and JIS
- rating till PN100 resp. ANSI class 900
- DGRL-97/23/EG, TRD 801-Nr.45-Type approval TÜ.AGG.105-90
- fire-safe design acc. to API 607



## Type "STANDARD"

### Plug Valve with PTFE Sleeve DN15 - DN100 / 1/2" - 4"



#### Advantages and construction of AZ Plug Valves

(see also leaflet "construction Advantages and Disadvantages" 1.0)

- **cavity free**  
PTFE sleeve surrounds the whole plug.
- **maintenance free**  
Large sealing areas for heavy duty conditions
- **self lubricating ( PTFE sleeve )**  
No seizure of the plug.  
Even after long time of stand-still switchable without damaging the plug
- **all sides supported PTFE parts**  
No cold flow.  
Expansion areas take up expansion of the PTFE sleeve at higher temperatures.
- **twisting free PTFE sleeve**  
Collar-formed ribs around the passage.  
Strip-off effect by medium with solid matter particles.
- **no stuffing box**  
Sealing on extent of the plug. No contact of the sealing areas with the medium flow.  
Additional sealing to the outside by PTFE-and stainless steel diaphragms.  
(See also leaflet 5.4)
- **easy adjustment of the plug**  
No special tools necessary, even in case of severe working conditions.  
Hexagon nuts easy to adjust, even when actuator is installed.
- **solid cast limit stops**  
Heavy duty design
- **suitable for full vacuum services**
- **stainless steel hand lever (1.4301/1.4104 )**  
No corrosion, even in aggressive surrounding.
- **easy mounting of**  
\* spindle extension with T-wrench ( isolated pipes )  
\* actuator
- **face to face dimensions and flanges acc. to DIN, ANSI and JIS**  
Separated pattern series for the whole DIN range till PN100 resp. class 900
- **DGRL-97/23/EG**  
**TRD 801 Nr.45 TÜV approved**  
**Component Part TÜ.AGG.105-90**



# Type "STANDARD"

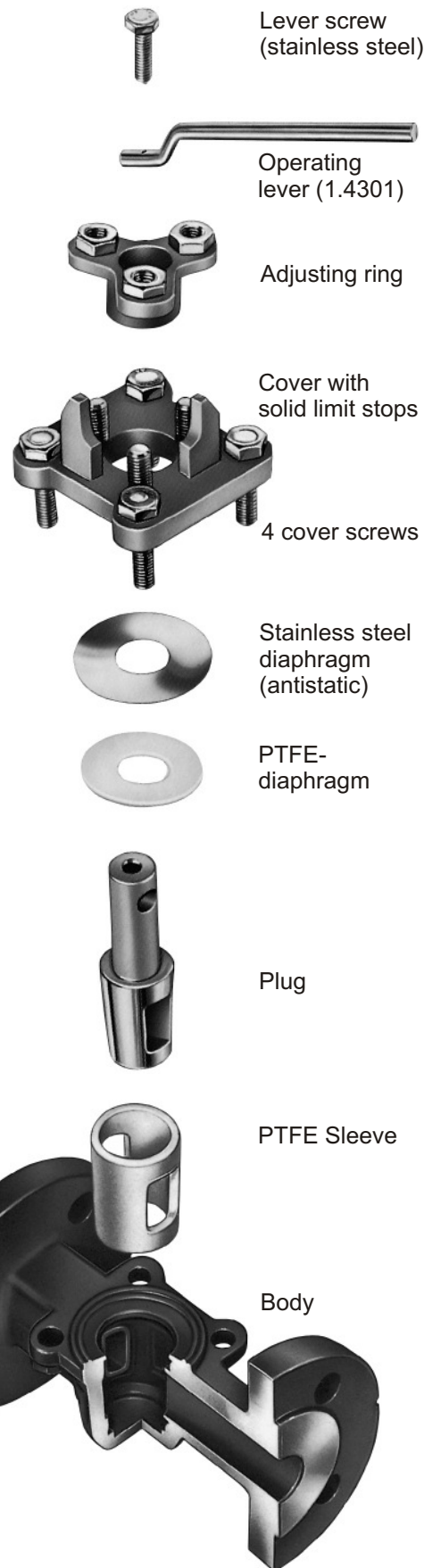
## Plug Valve with PTFE Sleeve DN15 - DN100 / 1/2" - 4"

### Available materials: Body/Plug

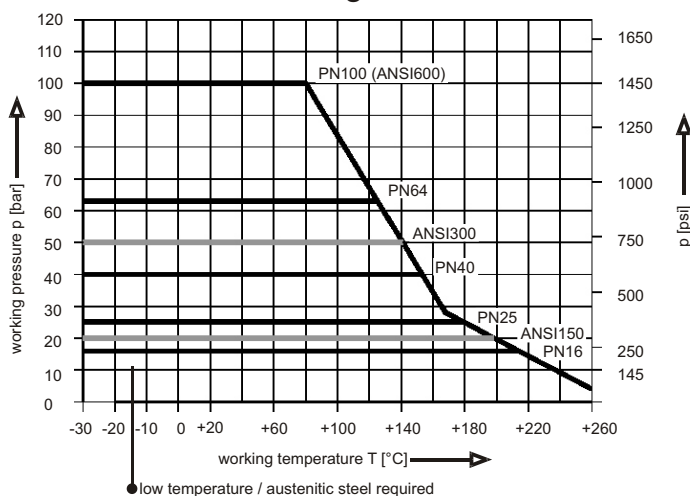
- Ductile Iron: A395/GGG40 resp. GGG40.3
- Carbon Steel: WCB/GS-C25, LCB/1.1138
- Stainless Steel: 316/1.4408, 316L/1.4404  
304/1.4308, 304L/1.4306
- Special Alloys: Alloy 20/1.4500, Uranus B6/1.4539  
Hastelloy B/2.4882, Hastelloy C/2.4883  
Monel, Nickel, Inconel, Titanium, Zirkonium,  
Tantalum

Other materials or special alloys on request.

- Several combinations of materials for body and plug possible.
- Standard material for plug 316/1.4408.
- Also available with PFA/FEP or PVDF lining. (see leaflet 2.1)
- Sleeves - virgin PTFE  
- reinforced glass fiber  
- PTFE-Graphite
- Antistatic design as a standard
- All 2-way valves also available in FIRE-SAFE-DESIGN (API 607) and also with additional special sealing (see leaflet 5.4)
- Oil- and grease-free available
- Suitable for full vacuum services, certificate of helium leaktest available.
- Several plug types, f.e. L4/T4, for polymerising crystallizing resp. aggressive dangerous mediums.



P-T-Diagram



higher P-T-values on request

**Example for ordering: F-2-80-PN40**  
F=Flange, 2=2-way, 80=DN, PN40=Rating

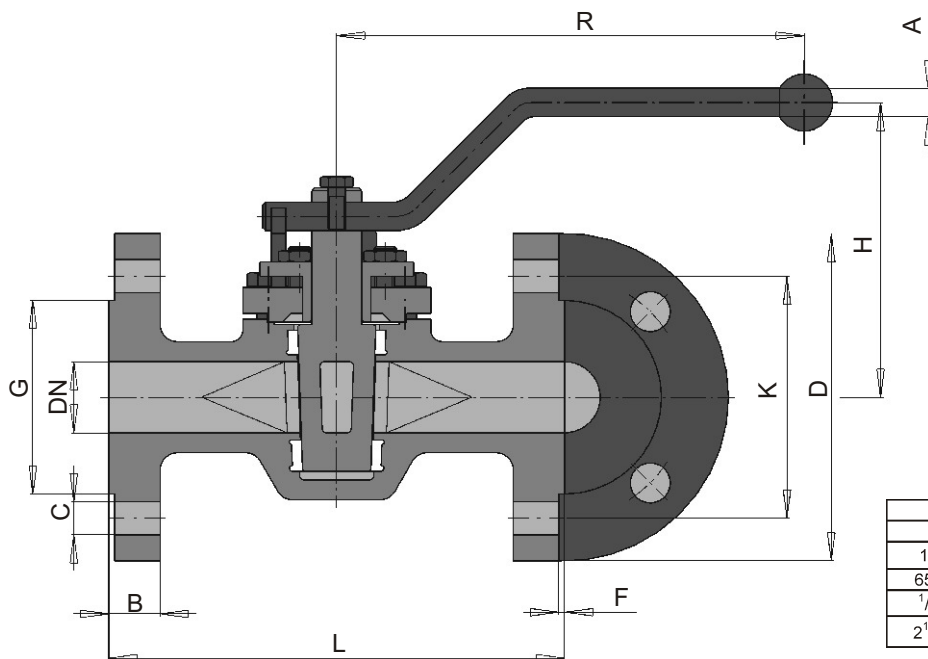
**On enquiry / order:**  
Please state material for body and plug



# Type "STANDARD"

## Plug Valve with PTFE Sleeve DN15 - 100 / 1/2" - 4"

### Dimension and technical Information



Tolerances (mm)					
DN	Norm	L	D	AZ Works Standard	H
15-50	DIN 3202 / EN 588-1	±1	±2		±5
65-100		±1,6		±10	
1/2"-2"	ANSI B 16.10	±1,6	±3,2	±5	
2 1/2"-4"				±10	

	DN	PN <sup>1)</sup>	A	B	ØC	ØD	F	ØG	H	ØK	L	R	Torque M <sub>t</sub> [Nm] <sup>2)</sup>	K <sub>V</sub> / C <sub>V</sub> -Value [m <sup>3</sup> /h] f. H <sub>2</sub> O Δp=1bar		Weight in kg
														K <sub>V</sub>	C <sub>V</sub>	
DIN 3202 / EN 588-1	15	10 - 40	10	16	4x14	95	2	45	98	65	130	200	12	18	21	3,5
	20		10	18	4x14	105	2	58	98	75	150	200	12	20	24	4,0
	25		10	18	4x14	115	2	68	104	85	160	200	15	22	25	4,6
	32		15	18	4x18	140	2	78	113	100	180	320	35	51	59	8,0
	40		15	18	4x18	150	3	88	120	110	200	320	40	85	99	9,0
	50		20	20	4x18	165	3	102	140	125	230	420	60	165	191	13,0
	65		25	22	8x18	185	3	122	170	145	290	600	100	267	310	18,0
	80		25	24	8x18	200	3	138	170	160	310	600	100	296	343	20,0
	80S		25	24	8x18	200	3	138	185	160	310	700	150	492	571	23,0
	100	10/16	25	20	8x18	220	3	158	170	180	350	600	100	302	350	23,0
	25/40	25	24	8x22	235	3	162	190	190							
	100S	10/16	25	20	8x18	220	3	158	180	350	700	150	763	885	27,0	
		25/40	25	24	8x22	235	3	162	190			190				
ANSI B 16.10 / B 16.5	1/2"	150	10	11,2	4x15,7	88,9	1,6	35,0	98	60,5	108	200	12	18	21	2,5
		300	10	14,2	4x15,7	95,2	1,6	35,0	98	66,5	140	200	12	18	21	3,5
	3/4"	150	10	12,7	4x15,7	98,6	1,6	42,9	98	69,9	118	200	12	20	24	3,0
		300	10	15,7	4x19,0	117,3	1,6	42,9	98	82,5	152	200	12	20	24	4,0
	1"	150	10	14,2	4x15,7	108,0	1,6	50,8	104	79,2	127	200	15	22	25	3,3
		300	10	17,5	4x19,0	123,9	1,6	50,8	104	88,9	165	200	15	22	25	4,6
	1 1/4"	150	15	15,7	4x15,7	117,3	1,6	63,5	113	88,9	140	320	35	51	59	5,0
		300	15	19,0	4x19,0	133,3	1,6	63,5	113	98,5	178	320	35	51	59	8,0
	1 1/2"	150	15	17,5	4x15,7	127,0	1,6	73,1	120	98,6	165	320	40	85	99	6,5
		300	15	20,6	4x22,3	155,4	1,6	73,1	120	114,3	191	320	40	85	99	9,0
	2"	150	20	19,1	4x19,1	152,4	1,6	91,9	140	120,7	178	420	60	165	191	11,0
		300	20	22,3	8x19,0	165,1	1,6	91,9	140	127,0	216	420	60	165	191	13,0
	2 1/2"	150	25	22,4	4x19,1	177,8	1,6	104,6	170	139,7	191	600	100	267	310	14,5
		300	25	25,4	8x22,3	190,5	1,6	104,6	170	149,3	241	600	100	267	310	18,0
3"	150	25	23,9	4x19,1	190,5	1,6	127,0	170	152,4	203	600	100	296	343	17,0	
	300	25	28,4	8x22,3	209,5	1,6	127,0	170	168,1	283	600	100	296	343	20,0	
4"	150	25	23,9	8x19,1	228,6	1,6	157,2	170	190,5	229	600	100	233	270	19,0	
	300	25	31,7	8x22,3	254,0	1,6	157,2	170	200,1	305	600	100	233	270	23,0	
4"S	150	25	23,9	8x19,1	228,6	1,6	157,2	185	190,5	229	700	150	763	885	23,0	
	300	25	31,7	8x22,3	254,0	1,6	157,2	185	200,1	305	700	150	763	885	27,0	

1) PN63 and PN100 as well as ANSI 600 and ANSI 900 also available.  
 2) Advise for actuator sizing: 100% safety factor

